

A0 LIGHTING KIT

RED FAA L810

TOWERS FROM 21' TO 150'

INSTALLATION PER FAA ADVISORY CIRCULAR AC70/7460
AND UNITED STATES NATIONAL ELECTRIC CODE NFPA-70.
ALL CABLE AND ACCESSORIES INCLUDED IN KIT.
INSTALLATION DRAWINGS AND BILL OF MATERIAL
PROVIDED WITH PURCHASE.

OWNER TO FURNISH REQUIRED POWER INPUT,

120/230 VAC

TOTAL LOAD REQUIREMENT = 14VA

MISCELLANEOUS ITEMS TO COMPLETE INSTALLATION
BEYOND SCOPE OF KIT DESIGN ARE NOT INCLUDED,
BUT AVAILABLE IF REQUIRED BY SPECIFICATION.

LOWEST POWER & LONGEST LASTING LED SYSTEM
GREEN POWER COST SAVINGS
MEETS ROHS COMPLIANCE
FIVE YEAR WARRANTY



124 South Street
Franklin, KY 42134

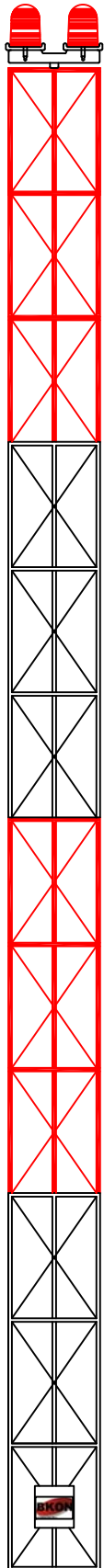
Tel: 270-598-8859 Fax: 270-598-8797

TOLL FREE: 1-800-621-4419

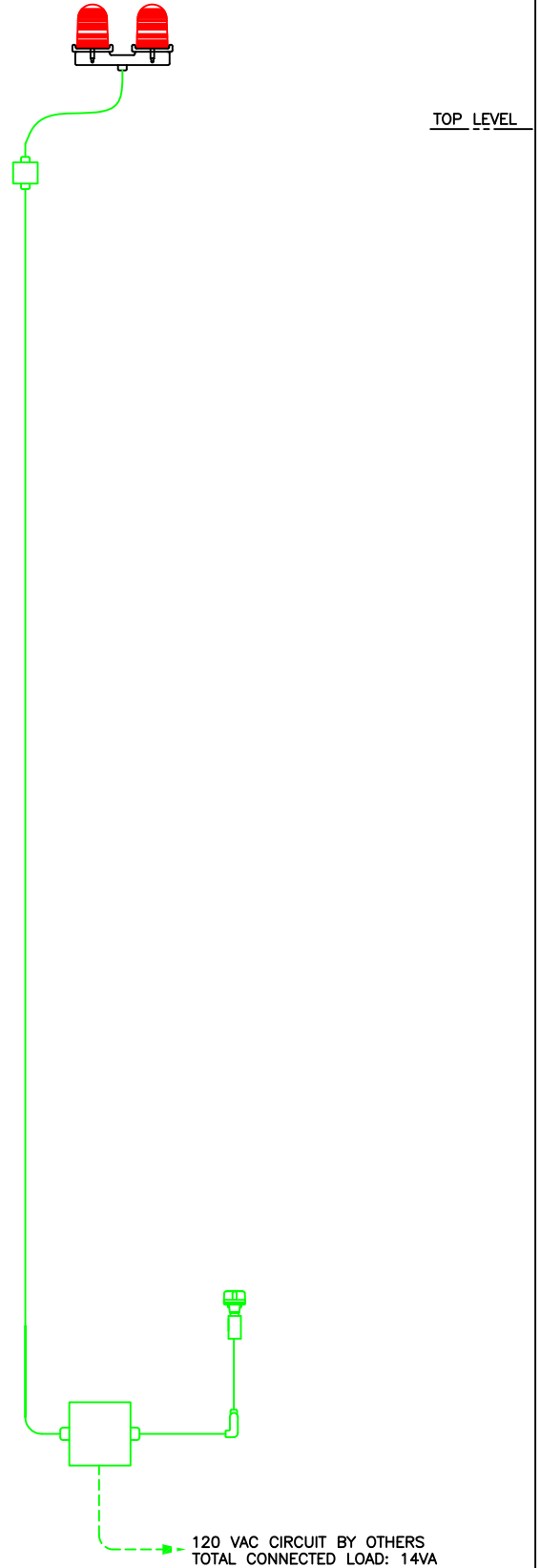




LOCATION USA A0 RED TOWER KIT
21'-150'
DRAWING NO. AOKITBIDSKETCH DATE 9-12-11
SCALE N.T.S.



- KIT INCLUDES:**
- LED MARKERS
 - MARKER CABLE
 - SUPPORTS
 - PHOTO CONTROL
 - MISC. HARDWARE & CONNECTORS
 - INSTALLATION DRAWING





A0 STACK LIGHTING KIT

RED FAA L810

STACKS UP TO 150'

INSTALLATION PER FAA ADVISORY CIRCULAR AC70/7460
AND UNITED STATES NATIONAL ELECTRIC CODE NFPA-70.
ALL CABLE AND ACCESSORIES INCLUDED IN KIT.
INSTALLATION DRAWINGS AND BILL OF MATERIAL
PROVIDED WITH PURCHASE.

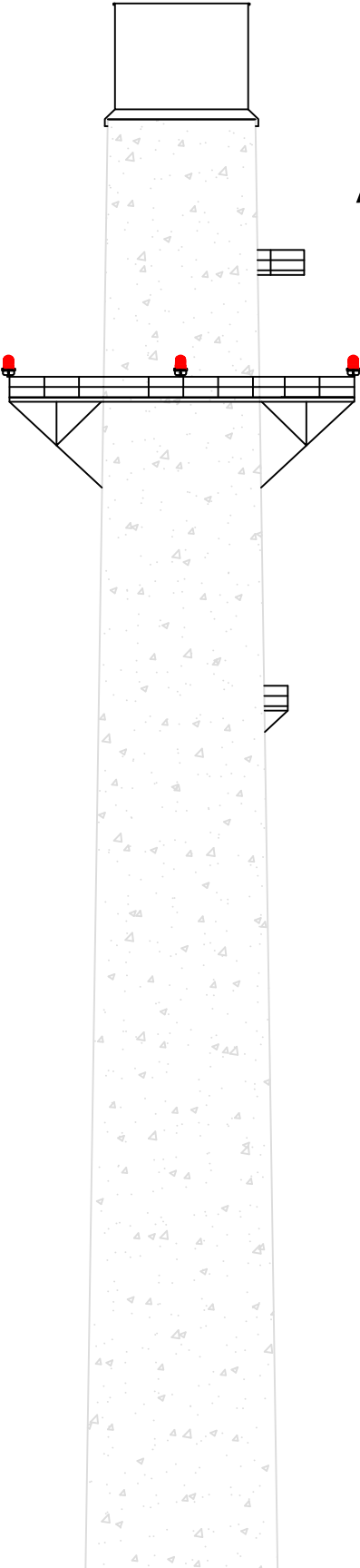
**OWNER TO FURNISH REQUIRED POWER INPUT,
120/230 VAC 50/60 HZ
ALSO AVAILABLE IN R-48VDC & 277V 60HZ
TOTAL LOAD REQUIREMENT = 21VA**

MISCELLANEOUS ITEMS TO COMPLETE INSTALLATION
BEYOND SCOPE OF KIT DESIGN ARE NOT INCLUDED,
BUT AVAILABLE IF REQUIRED BY SPECIFICATION.

LOWEST POWER & LONGEST LASTING LED SYSTEM
GREEN POWER COST SAVINGS
MEETS ROHS COMPLIANCE
FIVE YEAR WARRANTY

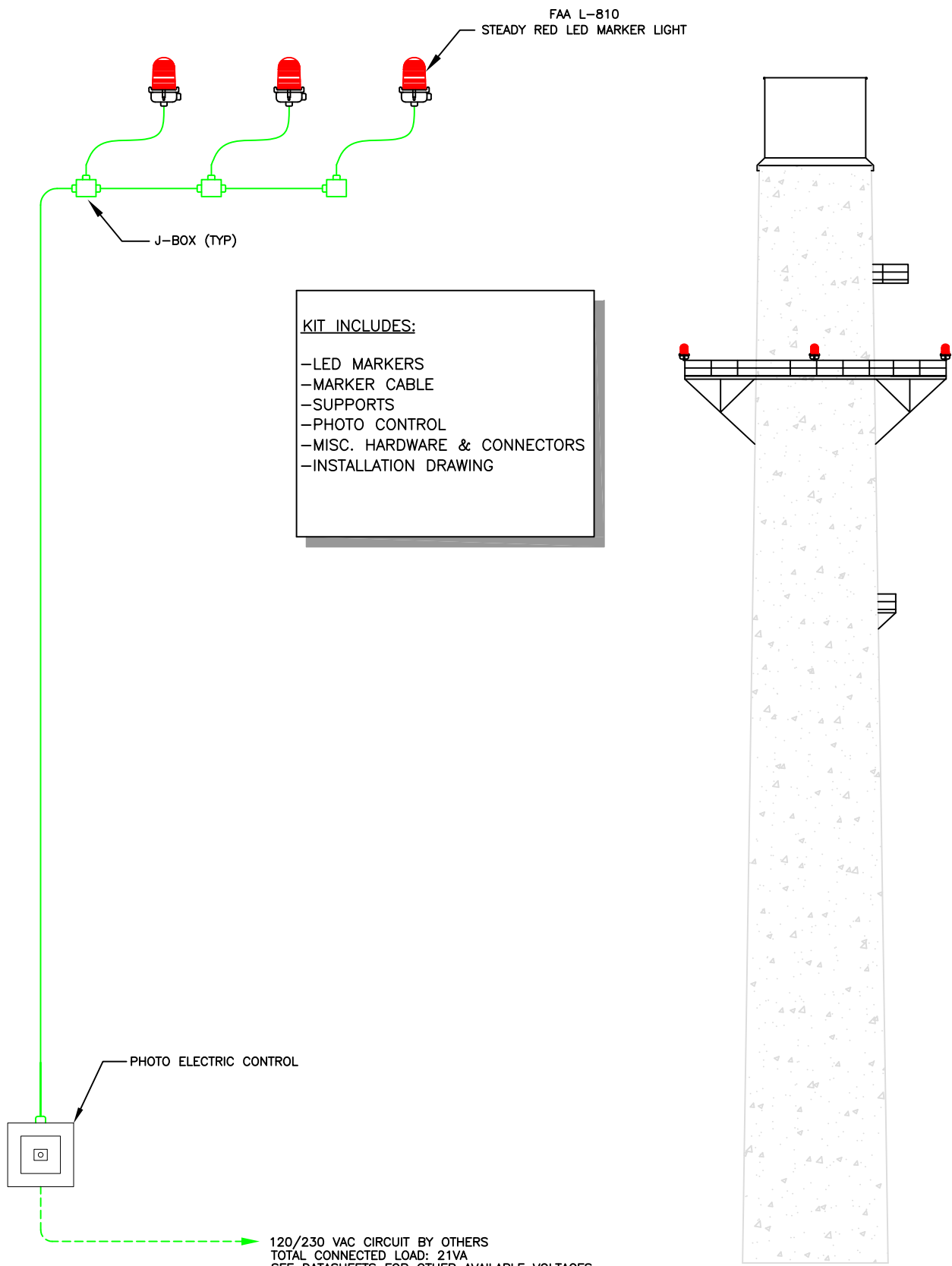
124 South Street
Franklin, KY 42134
Tel: 270-598-8859
Fax: 270-598-8797

TOLL FREE: 1-800-621-4419





LOCATION FAA RED LED SYSTEMS
CAPABILITIES: 100'-150'
DRAWING NO. AOSTACK DATE 9-23-11
SCALE N.T.S.



- KIT INCLUDES:
- LED MARKERS
 - MARKER CABLE
 - SUPPORTS
 - PHOTO CONTROL
 - MISC. HARDWARE & CONNECTORS
 - INSTALLATION DRAWING

STACK KIT

* STACKS EXCEEDING 20 FT. IN DIAMETER
WILL REQUIRE FOUR LIGHTS PER LEVEL



Guiding the Way



A0 COMMERCIAL RED LED LIGHT CONTROLLER

Modeled for use with LED L-810 Marker Light

Features	Benefits
48VDC-120, 240 50/60HZ	Multiple Voltage Input for diverse application
On @ FC / Off @ FC	Per FAA requirement
NEMA 3R Enclosure	Cast Aluminum Enclosure
Screw terminals	Standard, no special connection devices needed
Fused	In-line Over-current Protection
Marker Monitoring	Standard per level monitoring. Can Monitor one failure on multiple levels with only one output
Programing and resetting not required	Microprocessors will not reset if power is lost
Field Adjustable	Monitoring settings based on tower configuration and can be adjusted at the installation location
Easy Monitoring of RTO 860 L-810 Marker Lights	RTO & 860 side selector

See A0 Tower Kit on website for complete tower installation.

www.bkonled.com

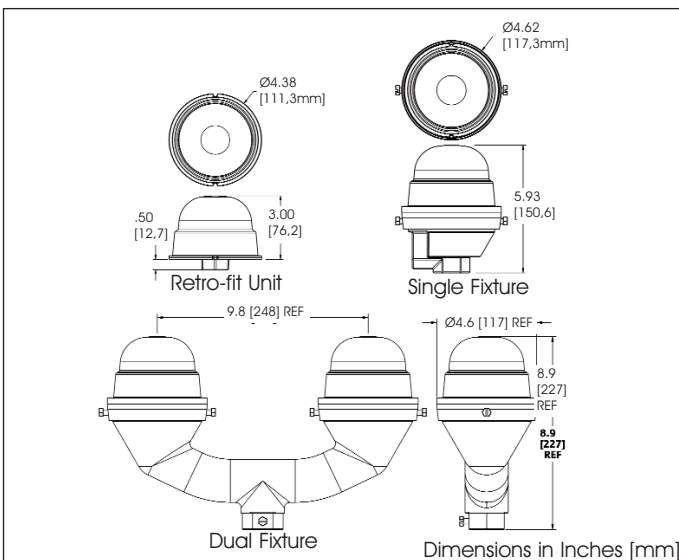


Guiding the Way



US Patent #7,604,384

BKON™ Series LED Based RTO L-810 Red LED Obstruction Lights



Certifications & Ratings:

- ▷ FAA AC NO: 150/5345-43F
- ▷ FAA Engineering Brief No. 67
- ▷ IP65 / IP66 / NEMA 4X

Qualified By:

- ▷ Intertek ETL
- ▷ Lighting Sciences Canada
- ▷ DGAC Mexico

Compliant to:

- ▷ ICAO Annex 14, 5th Edition, July 2009
- ▷ ICAO Aerodromes Design Manual, Chapter 18
- ▷ Canadian Aviation Regulation CAR 621.19 (Transport Canada)
- ▷ Nachrichten für Luffahrer Teil I Langen, 6. Januar 2005
- ▷ German Air Traffic Control Notices For Pilots Part I 6, January 2005

Features & Benefits:

- ▷ Available in 120 - 277 VAC and 12 - 48 VDC
- ▷ Simple retro-fit using existing wiring and housing
- ▷ Weather/corrosion resistant lamp assembly and housing
- ▷ Self-contained wiring compartment eliminates additional boxes
- ▷ Threaded 1" and 3/4" bottom hub for mounting
- ▷ Can be operated steady or flashed (controller not supplied)
- ▷ Uses 95% less energy than incandescent
- ▷ Complete performance 5 year warranty
- ▷ Resistant to shock and vibration
- ▷ UV, scratch & chemical resistant lens coating

Application:

BKON's™ RTO Series obstruction light utilizes a unique optical, electrical and mechanical design. The RTO series is the most universal, compact and efficient obstruction light in the world. ETL Certified to the FAA requirements, the RTO series fixture is also ICAO and Transport Canada compliant. Also available as a single fixture for direct replacement of incandescent lamp/lens technology.

Unit Weight:	1.25lbs (0.56 kg) (Retro Unit) 2.00lbs (0.91 kg) (Single Unit) 4.60lbs (2.09 kg) (Dual Unit)
Supply Voltage Ranges:	Nominal +/- 10%
Nominal Input Power:	6.5 (FAA - 120-240 VAC Units) 8.5 (TC - 120-240 VAC Units) 8.0 (FAA - 277VAC Units) 3.5 (FAA - 12-48 VDC Units)
Wattage:	5.5W (FAA - 120-240 VAC Units) 5.0W (FAA - 12-48 VDC Units)
Power Factor:	>0.9 (All AC units)
Operating Temp:	-40°F to +131°F (-40°C to +55°C)

Order code:

Part Number	Configuration	Compliance	Operating Voltage
RTO-1R07-001	Single Fixture	FAA	120-240 VAC
RTO-6R07-001	Single Fixture	TC	120-240 VAC
RTO-1R06-001	Single Fixture	FAA	277 VAC
RTO-1R08-001	Single Fixture	FAA	12-48 VDC
RTO-1R07-001-EU	Single Fixture	ICAO	120-240 VAC
RTO-1R07-002	Dual Fixture	FAA	120-240 VAC
RTO-6R07-002	Dual Fixture	TC	120-240 VAC
RTO-1R06-002	Dual Fixture	FAA	277 VAC
RTO-1R08-002	Dual Fixture	FAA	12-48 VDC
RTO-1R07-002-EU	Dual Fixture	ICAO	120-240 VAC
RTO-1R07-004	Single Retro-Fit Fixture	FAA	120-240 VAC
RTO-6R07-004	Single Retro-Fit Fixture	TC	120-240 VAC
RTO-1R06-004	Single Retro-Fit Fixture	FAA	277 VAC
RTO-1R08-004	Single Retro-Fit Fixture	FAA	12-48 VDC
RTO-1R07-004-EU	Single Retro-Fit Fixture	ICAO	120-240 VAC

BKON also offers these obstruction lights



BKON™ Series L-810
Infrared (IR) LED Obstruction Lights
for use with aviator night vision goggles

LED Visual Signal Lights