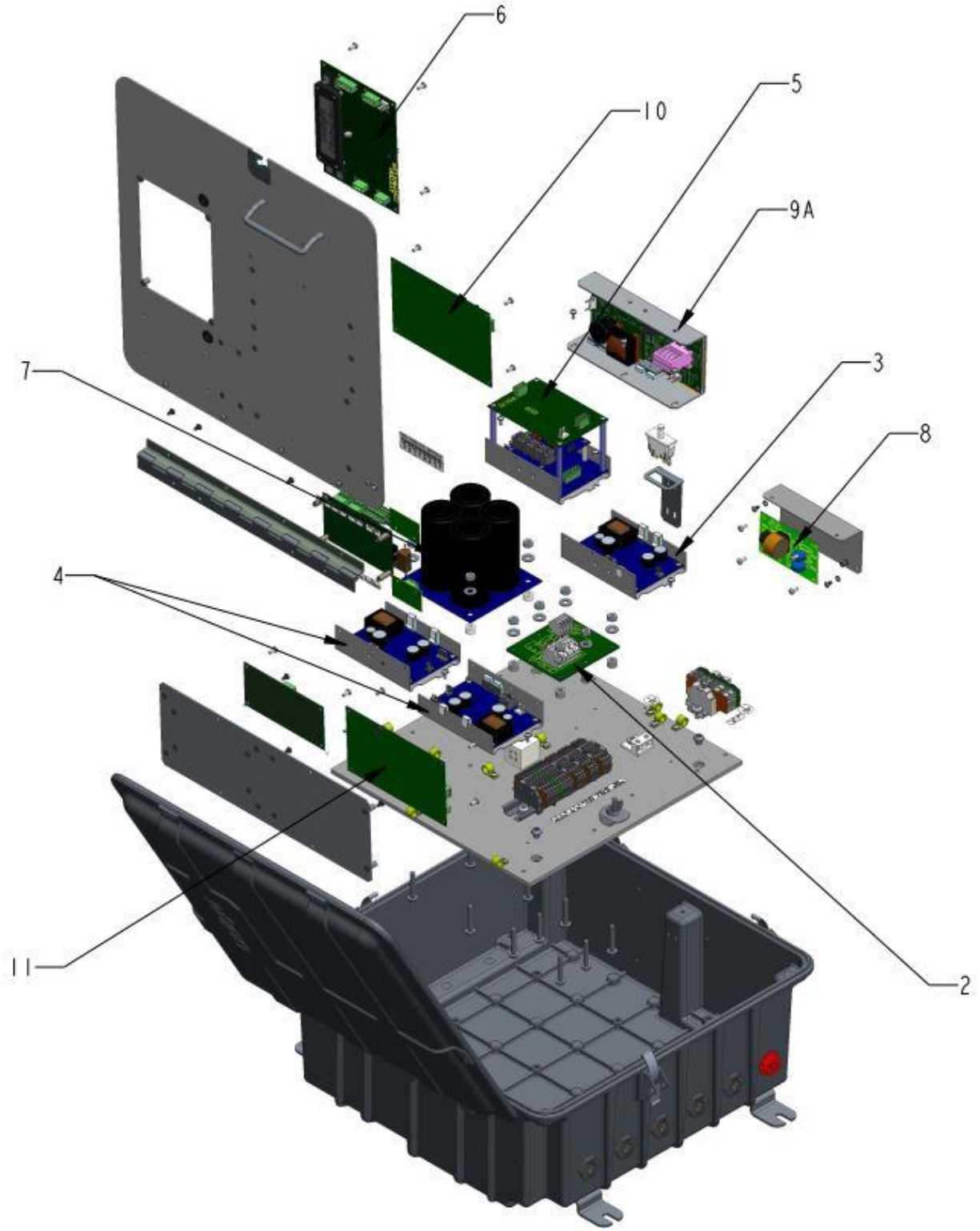
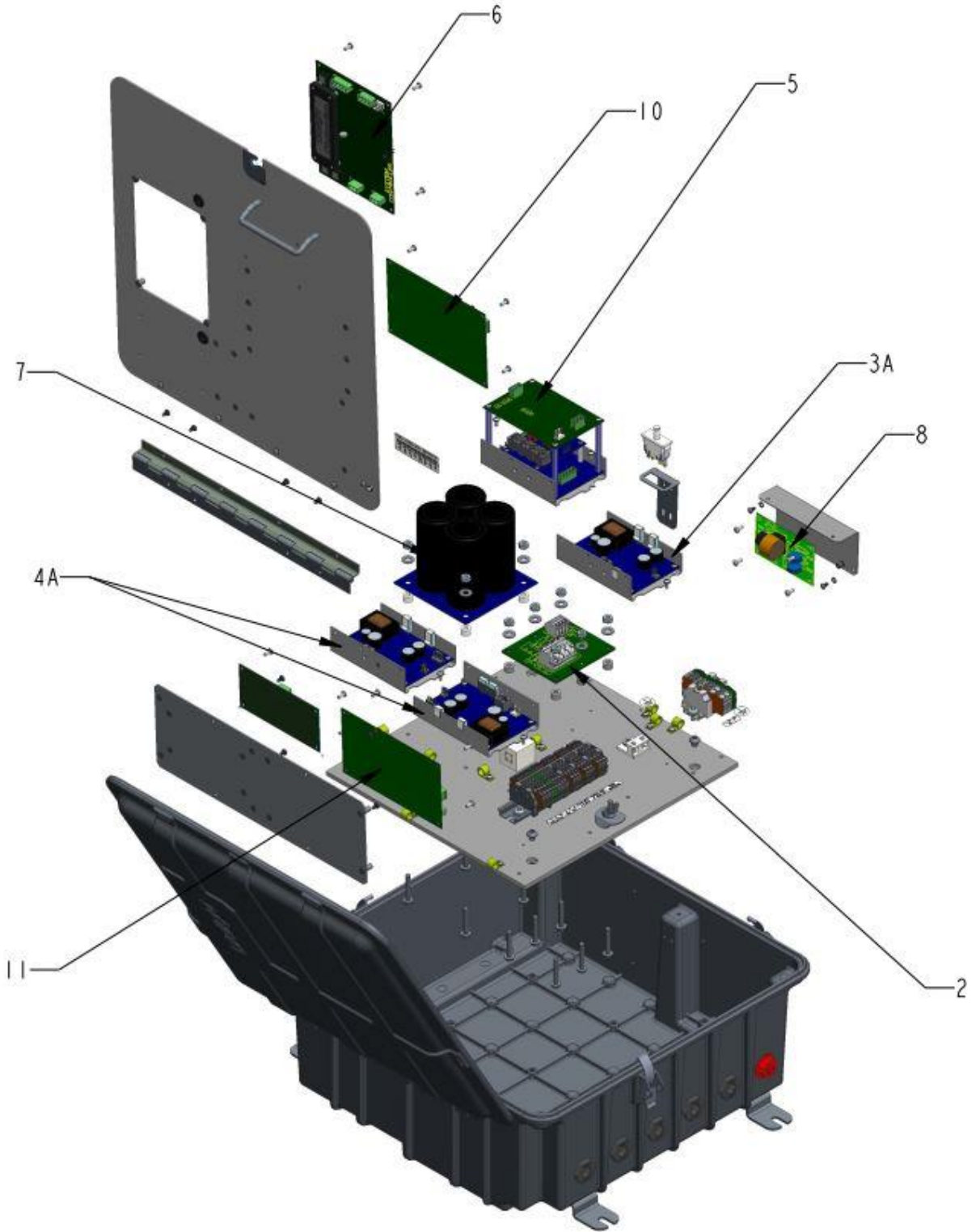


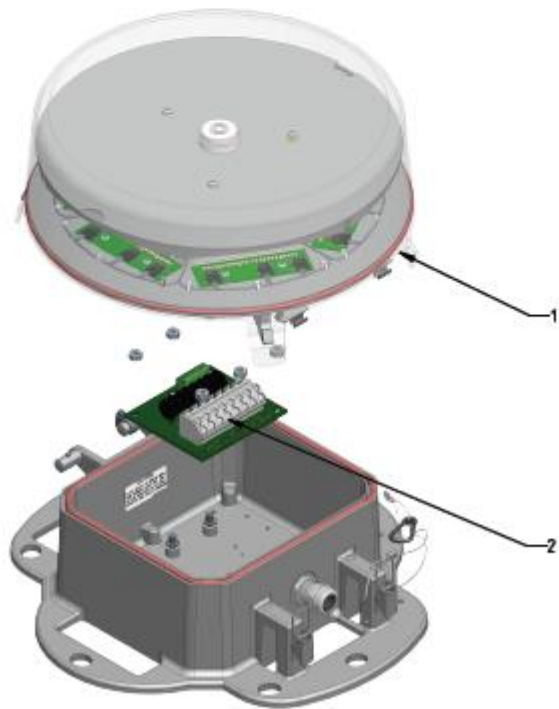
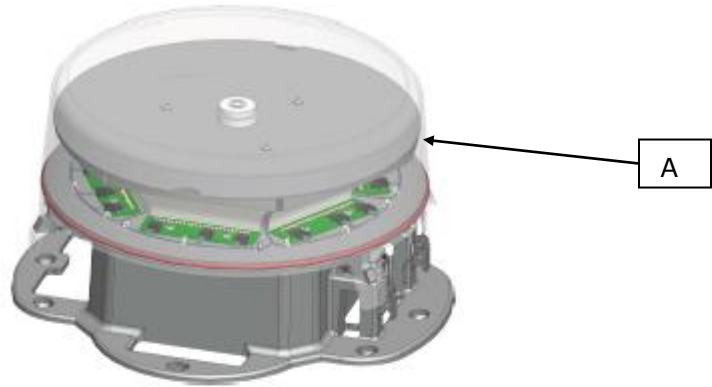
Replacement Part Numbers

D1xW-C13-xxx-CTR



D1xW-C14-xxx-CTR





Item	Description	Replacement P/N
A	Replacement Complete Flashhead 4 conductor	Dual: D1RW-FH-409 Dual+IR: D1CW-FH-409
A	Replacement Complete Flashhead 8 conductor	D1RW-FH-009
1	Replacement Lamp Top only pedestal not included	Dual 8 Conductor: D1RW-1019 Dual 4 Conductor: D1RW-1020 Dual+IR 4 Conductor: D1CW-1020
2	Replacement Lightning Protection Board	Dual 8 Conductor: D7201-SUR Dual 4 Conductor: D7203-SUR Dual+IR 4 Conductor: D7208-SUR
3	Replacement Red Driver	Dual: D1RW0084RA Dual+IR: D1CW0084RA
3A	Replacement Red Driver for 48Vdc input	Dual: D1RW0084RADC Dual+IR: D1CW0084RADC
4	Replacement White Driver	D1RW0084WA
4A	Replacement White Driver for 48Vdc Input	Dual D1RW0084WADC
5	Replacement Micro / Filter / Translator	D-7300-ASY
6	Replacement Main Controller	AC Side Lights: D-7405-LCD DC Side Lights: D-7401-LCD
7	Replacement Capacitor Board	D1RW0084CP
8	Replacement Filter / Surge Board for AC input	D7202-SUR
8A	Replacement Filter / Surge Board for 48Vdc input	D7204-SUR
9A	Replacement 48V P/S only used on AC input models	D1RW9005RA
10	Replacement Side Light Monitor for AC side lights	D7502-SLM
10A	Replacement Side Light Monitor for DC side lights	D7500-SLM
11	Replacement Relay Board	D7600-RLY